

Battery Tool Kit

Convert your existing Hand Tools into Powered!
Ideal for low to medium production volumes.

Image representative of type only

Features:

Over 100 crimps per charge
Compact - only 356mm (14") long and weighs 1.57kg (3.48lbs)

The Tool Kit is supplied in a durable plastic carry case and includes:

Battery Tool with the relevant Adapter / Head
Battery Charger 220v
Two Batteries



Spares:

1725839-1 - Battery
1725840-2 - Battery Charger (EU Power Plug)
1725840-3 - Battery Charger (UK Power Plug)

| Part Number | Description | mm ² (AWG) or other |
|-------------|--|--------------------------------|
| 1213804-2 | Double Action Hand Tool (EU Power Plug) | |
| 1213804-5 | Double Action Hand Tool (UK Power Plug) | |
| 1213805-2 | CERTI-CRIMP II SAHT / any CERTI-CRIMP II PN [-3] (EU Power plug) | |
| 1213805-5 | CERTI-CRIMP II SAHT / any CERTI-CRIMP II PN [-3] (UK Power Plug) | |
| 1213819-2 | C-Head SAHT, CLOSED head (EU Power Plug) | |
| 1213819-5 | C-Head SAHT, CLOSED head (UK Power Plug) | |
| 1213840-2 | C-Head SAHT, OPEN head (EU Power Plug) | |
| 1213840-5 | C-Head SAHT, OPEN head (UK Power Plug) | |
| 1213890-2 | SDE Pin Dies, CLOSED head (EU Power Plug) | |
| 1213890-5 | SDE Pin Dies, CLOSED head (UK Power Plug) | |
| 1725837-2 | SDE Shoulder Dies, OPEN head - pictured (EU Power Plug) | |
| 1725837-5 | SDE Shoulder Dies, OPEN head - pictured (UK Power Plug) | |
| 1901235-2 | Heavy Head Hand Tool (EU Power Plug) | |
| 1901235-5 | Heavy Head Hand Tool (UK Power Plug) | |

Only the most popular options are listed here, please use our online search by terminal PN to find the right tool for your application, and contact us where information is unclear or missing - there may well be something available for your requirement.

Electric Terminator EU

539630-1 - Portable Bench-top Unit with foot switch (requires head / Adapter).
Ideal for low to medium production volumes.

Image representative of type only

Features:

Portable Bench-top Unit

Mains powered unit - no air required (EU mains plug)
Switchable 110v or 240v supply
Cycle Counter
Two stage crimp cycle option
Includes Foot switch 1673664-1



| Part Number | Description | mm ² (AWG) or other |
|-------------|---|--------------------------------|
| 169411 | Adapter for CERTI-LOK Dies | |
| 1213860-1 | Adapter for CERTI-CRIMP II Heads | |
| 1673663-2 | Adapter for SDE Dies | |
| 1901556-1 | Adapter for C-Head SAHT Dies | |
| 2-1579001-3 | Mini CERTI-LOK Head for Wire End Ferrules | 0.08 - 10.0 (28-8) |

Only the most popular options are listed here, please use our online search by terminal PN to find the right tool for your application, and contact us where information is unclear or missing - there may well be something available for your requirement.

Micro Pneumatic

Ideal for low to medium production volumes.

Features:

- All pneumatic
- Wire range of 0.12 - 2.0 mm² [26-14]
- Weighing only 0.7 kg (1.5lb)
- 146.5 mm (5.75") long

The Basic system requires:

- A Power Unit
- A Tool Holder / Adapter
- A Head Assembly

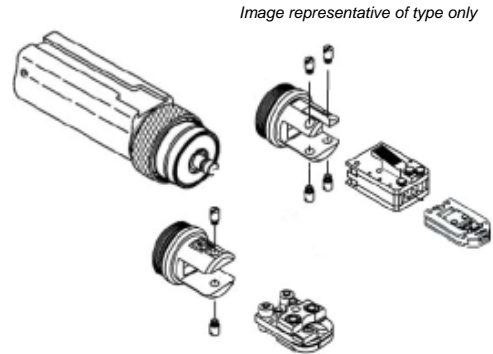


Image representative of type only

Micro Pneumatic Adapter

Adapter only

Features:

- Also required:
- Adapter Holder with Ratchet 356304-1
 - or Adapter Holder without Ratchet 189928-1
 - and
 - Hand held power unit 1490567-1

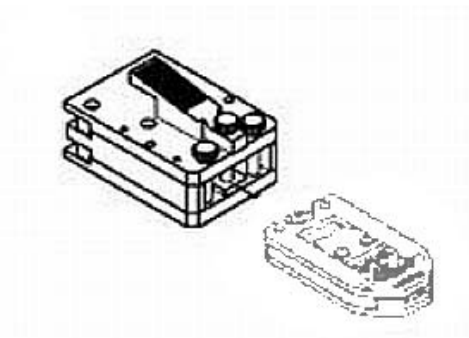


Image representative of type only

| Part Number | Description | mm ² (AWG) or other |
|-------------|--|--------------------------------|
| 1583527-1 | Adapter for CERTI-CRIMP II SAHT (pictured) | |

Only the most popular options are listed here, please use our online search by terminal PN to find the right tool for your application, and contact us where information is unclear or missing - there may well be something available for your requirement.

Micro Pneumatic Crimping Head

Crimping Head only

Image representative of type only

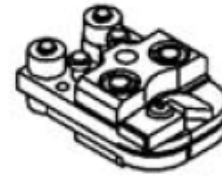
Features:

Also required:

Small Tool Holder with Ratchet 1673611-1

and

Hand held power unit 1490567-1



The listed Heads can also be used in the 626 pneumatic system

| Part Number | Description | mm ² (AWG) or other |
|-------------|---|--------------------------------|
| 314270-3 | PIDG Terminals & Splices; PLASTI-GRIP Terminals | 0.4 - 1.5 (22-16) |
| 314269-1 | PIDG Terminals & Splices; PLASTI-GRIP terminals | 1.5 - 2.5 (16-14) |
| 314868-1 | PLASTI-GRIP Butt Splice | 0.4 - 1.5 (22-16) |
| 314869-1 | PLASTI-GRIP Butt Splice | 1.5 - 2.5 (16-14) |
| 314516-1 | SOLISTRAND Terminals & Splices | 0.4 - 1.5 (22-16) |
| 314517-1 | SOLISTRAND Terminals & Splices | 1.5 - 2.5 (16-14) |
| 314518-1 | SOLISTRAND Terminals & Splices | 2.5 - 4.0 (14-12) |

Only the most popular options are listed here, please use our online search by terminal PN to find the right tool for your application, and contact us where information is unclear or missing - there may well be something available for your requirement.

626 Pneumatic

Ideal for low to medium production volumes.

Features:

All pneumatic

Wire range of 0.12 - 13.0 mm² [26-6]

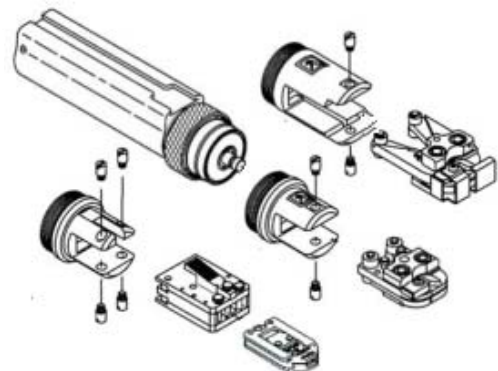
The Basic system requires:

A Power Unit

A Tool Holder / Adapter

A Head Assembly & Die-set (when applicabe)

Image representative of type only



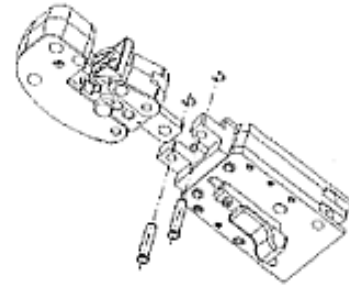
626 Pneumatic Adapter

Adapter only

Image representative of type only

Features:

Also required:
 Adapter Holder with Ratchet 356304-1
 or Adapter Holder without Ratchet 189928-1
 and
 Hand held power unit 189721-1
 or Foot actuated Power Unit 189722-1



The above Adapter Holders also take Micro Pneumatic Adapters

| Part Number | Description | mm ² (AWG) or other |
|-------------|--|--------------------------------|
| 525432-1 | Adapter for Heavy Head Hand Tool | |
| 1213563-1 | Adapter for Double Action Hand Tool (pictured) | |

Only the most popular options are listed here, please use our online search by terminal PN to find the right tool for your application, and contact us where information is unclear or missing - there may well be something available for your requirement.

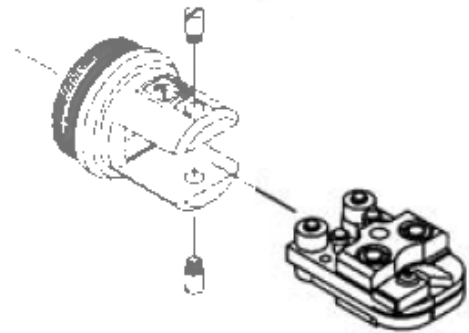
626 Pneumatic Crimping Head (Small Tool Holder)

Crimping Head only

Image representative of type only

Features:

Also required:
 Small Tool Holder with Ratchet 356303-1
 or Tool Holder without Ratchet 189766-1
 and
 Hand held power unit 189721-1
 or Foot actuated Power Unit 189722-1



| Part Number | Description | mm ² (AWG) or other |
|-------------|--|--------------------------------|
| 217205-1 | Closed End Splice | 0.4 - 1.5 (22-16) |
| 354422-1 | Closed End Splice | 0.4 - 2.5 (22-14) |
| 354422-2 | Closed End Splice | 0.4 - 6.0 (22-10) |
| 314537-1 | PIDG, PLASTI-GRIP Terminals & Splices | 0.15 - 0.4 (26-22) |
| 189989-1 | Crimping Head for SOLISTRAND Terminals & Splices | 0.4 - 6.0 (22-10) |

Only the most popular options are listed here, please use our online search by terminal PN to find the right tool for your application, and contact us where information is unclear or missing - there may well be something available for your requirement.

626 Pneumatic Crimping Head (Large Tool Holder)

Crimping Head only

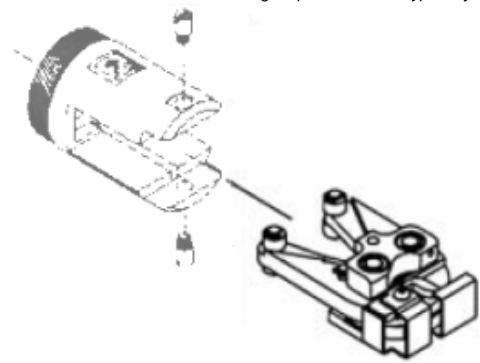
Features:

Also required:

Large Tool Holder with Ratchet 356302-1
or Tool Holder without Ratchet 189767-1
and

Hand held power unit 189721-1 (-2 with Booster]
or Foot actuated Power Unit 189722-1 (-2 with Booster]

Image representative of type only



| Part Number | Description | mm ² (AWG) or other |
|-------------|---|--------------------------------|
| 189896-1 | SOLISTRAND Terminals | 1.0 - 10.0 (18-8) |
| 189466-1 | Closed End Splice | 1.0 - 6.0 (18-10) |
| 189447-1 | COPALUM Terminals and Splices | 1.5 - 2.5 (16-14) |
| 1320369-1 | COPALUM Terminals and Splices - *requires (-2) Power Units! | 10.0 (8) |
| 189444-1 | COPALUM Terminals and Splices | 4.0 - 6.0 (12-10) |
| 679300-1 | PIDG Terminals & Splices; PLASTI-GRIP Terminals | 4.0 - 6.0 (12-10) |
| 679301-1 | Crimping Head for SOLISTRAND Terminals & Splices | 0.4 - 6.0 (22-10) |
| 1338757-1 | SOLISTRAND Terminals & Splices | 10.0 (8) |
| 1338758-1 | SOLISTRAND Terminals & Splices | 6.0 (10) |
| 217206-1 | STRATO-THERM SOLISTRAND High Temp & Heat Resistant Terminals & Splices | 0.4 - 6.0 (22-10) |
| 904395-1 | TERMINYL Terminals & Splices; (PLASTI-GRIP where no insulation crimp is required) | 10.0 (8) |

Only the most popular options are listed here, please use our online search by terminal PN to find the right tool for your application, and contact us where information is unclear or missing - there may well be something available for your requirement.

Bench Press SSC-2FP

1481004-7

Ideally suited to:

- Insulated terminals up to 6 mm²
- Copper tube terminals up to 16 mm²
- Wire End Ferrules up to 50 mm²

Image representative of type only

Features:

NO GUARDING NECESSARY!

The machine will not operate when the jaw opening is greater than 6mm.

Variable pre-hold pressure.

Double Foot Pedal Actuation:

First pedal opens the jaws for terminal placement, releasing the pedal closes the head with pre-hold pressure only.

Second pedal activates the crimp cycle, pressing the first pedal again allows the crimped terminal to be removed.



mm² (AWG) or other

| Part Number | Description | mm ² (AWG) or other |
|-------------|-------------------------------|--------------------------------|
| 3-1481221-6 | Adapter for WDT Dies | |
| 8-1481221-2 | Adapter for Service Tool Dies | |
| 1579000-8 | Adapter for SDE Dies | |
| 8-1481221-3 | Adapter for C-Head SAHT Dies | |

Only the most popular options are listed here, please use our online search by terminal PN to find the right tool for your application, and contact us where information is unclear or missing - there may well be something available for your requirement.